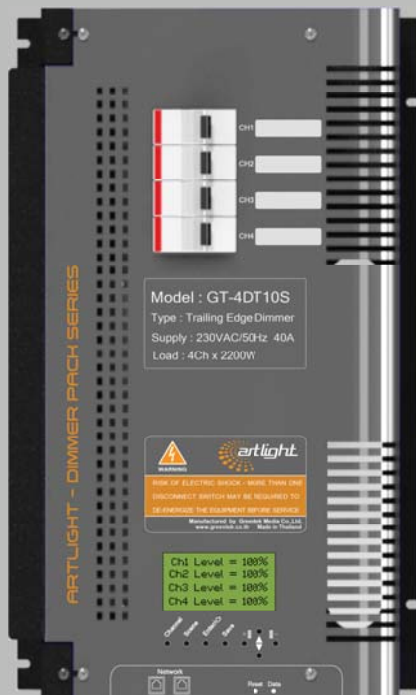


## GT-4DT10S : Trailing Edge Dimmer Controller

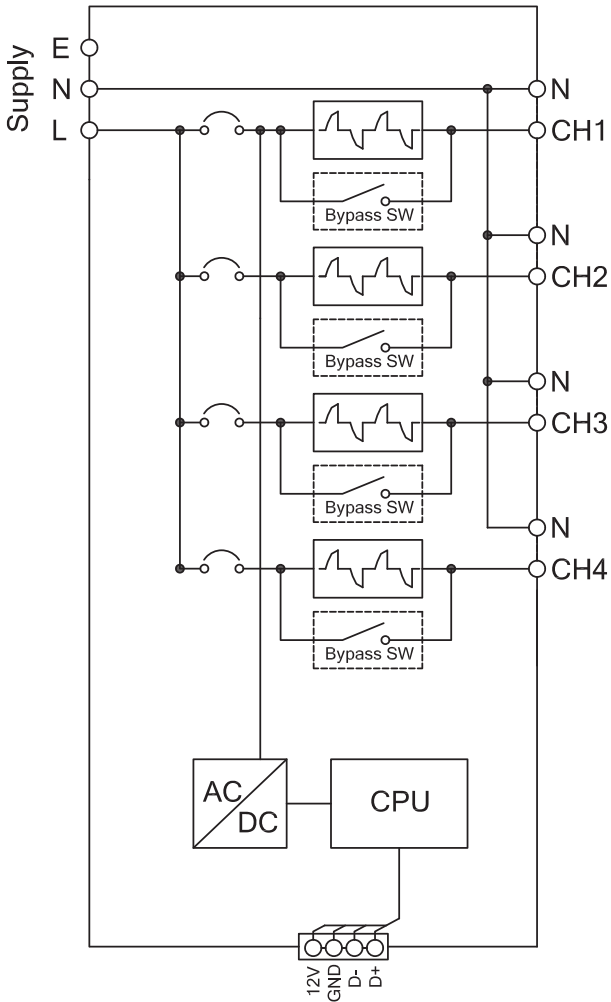
### 4 Channels x 2200 Watts



#### KEY FEATURE

- Main Input Supply : 230VAC/50Hz 1 Phase 40A
- Output : 4ch x 2200Watts (10A) Maximum.(trailing edge phase control)
- Protection : 4 x 10A 6kA single pole thermal magnetic circuit breakers on each channel
- Safety required by voltage isolation between control and power stage
  - Photocoupler isolation 2.5kV
- Power electronics component: Dual MOSFET's - 74A, 600V, 141A surge
- Operation control by microcontroller
  - Setup fades time from 0-1200s by independent for each channel
  - Setup the future program up to 128 programs
  - Dimming feature by square law "B" curve type
  - Select function for Dim or Non Dim type by independent for each channel
- Have internal data storage & data protection by EEPROM for prevent data loss and non battery backup
- Support Communication & Interface by RS-485(i-Net protocol)
- Operating Environment :0° to 40°C ambient temperature
- Initial start up program by Front Panel Programmer
- By-pass switch for every control channel (Emergency case)
- Load compatibility :
  - Incandescent lamps
  - Trailing edge electronic transformers
  - LED MR16 with dimmable electronic Transformer
  - LED Bulb High-Voltage
- Main input terminal:
  - Line, Neutral, Earth
  - Wire size 3 x 4sq.mm
- Output terminal:
  - Line, Neutral by separate for each channel
  - Wire size 4 x 2.5sq.mm
- Iron and Aluminum cabinet (Thermal Management )
- Installation: Wall mount type
- Dimension: 220 (width) x 350 (length) x 150(thick) mm.
- Weight: 2.5 kg.

ELECTRICAL DIAGRAM



MOUNTING DIMENSIONS

